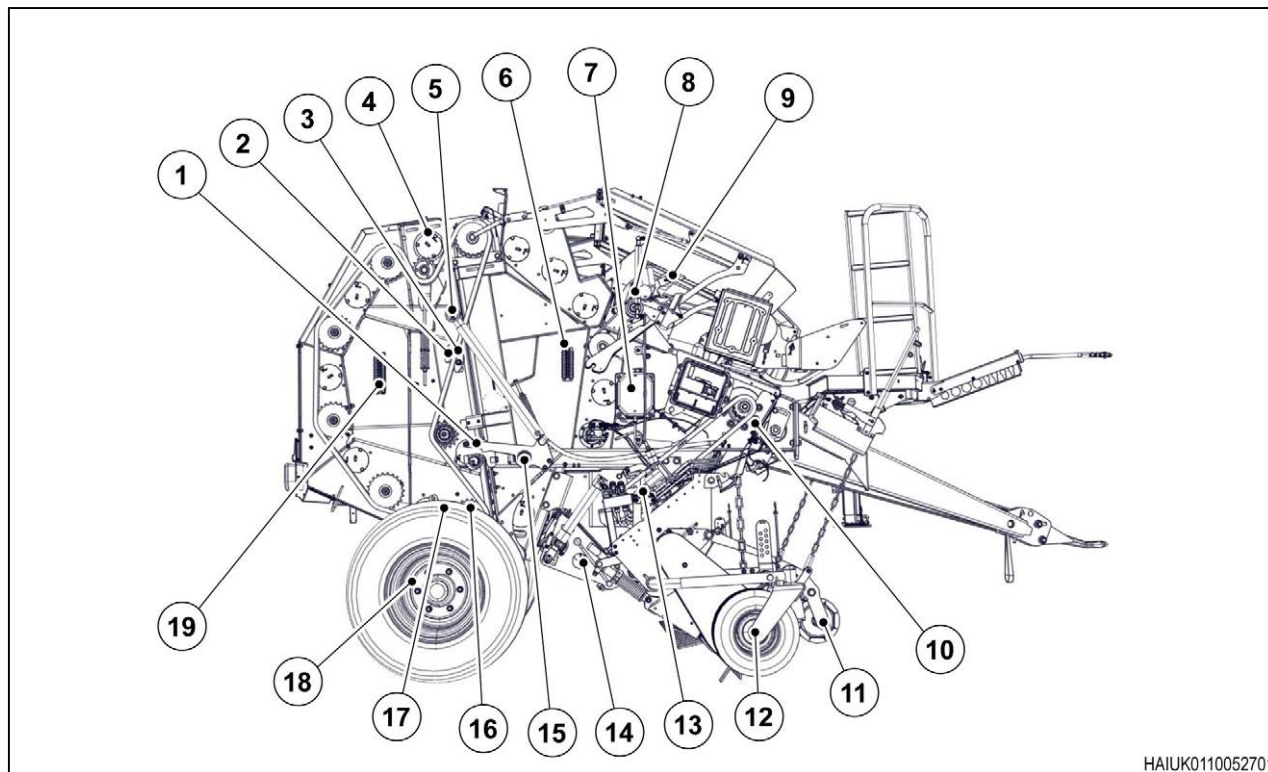


4.2 Smörjschema: Rotana 130F Classic-Xtra

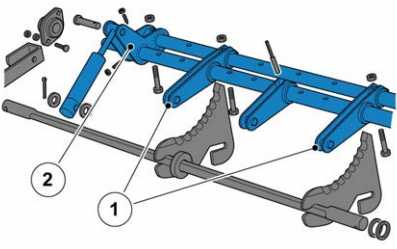
1. Se till att koppla från kraftuttagsaxeln, stänga av traktormotorn och ta ur nyckeln.
2. Smörj delarna med specificerat smörjmedel med de mellanrum som beskrivs i tabellerna i detta avsnitt.



HAIUK0110052701

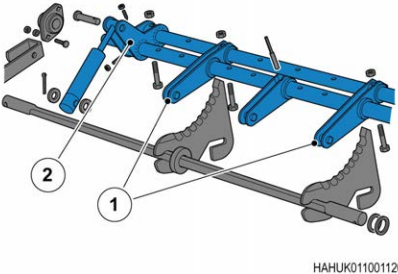
Fig. 1

	Agrol smörjmedel	Specifikationer
(A)	Entreprenadfett EP2 Bio	Biologiskt nedbrytbar fett (SEP2) NLGI-klass 2 DIN 51818 Applicera alltid 2 tryck med en manuell fettspruta
(B)	Gear Oil	68–220 (ISO VG) (ej tjocknande)
(C)	Gear Oil 150	150 (ISO VG) CKD (ISO 6743–6)
(D)	Penetrant	Multifunktionsolja

500 balar efter första användning			
Position i illustration	Maskindel	Smörjning	Observera
14	Bara maskiner med skärenhet XtraCut 17 och XtraCut 25: smörj knivspaken  HAHUK0110011201	(A)	500 balar efter första användning, därefter en gång per odlingssäsong

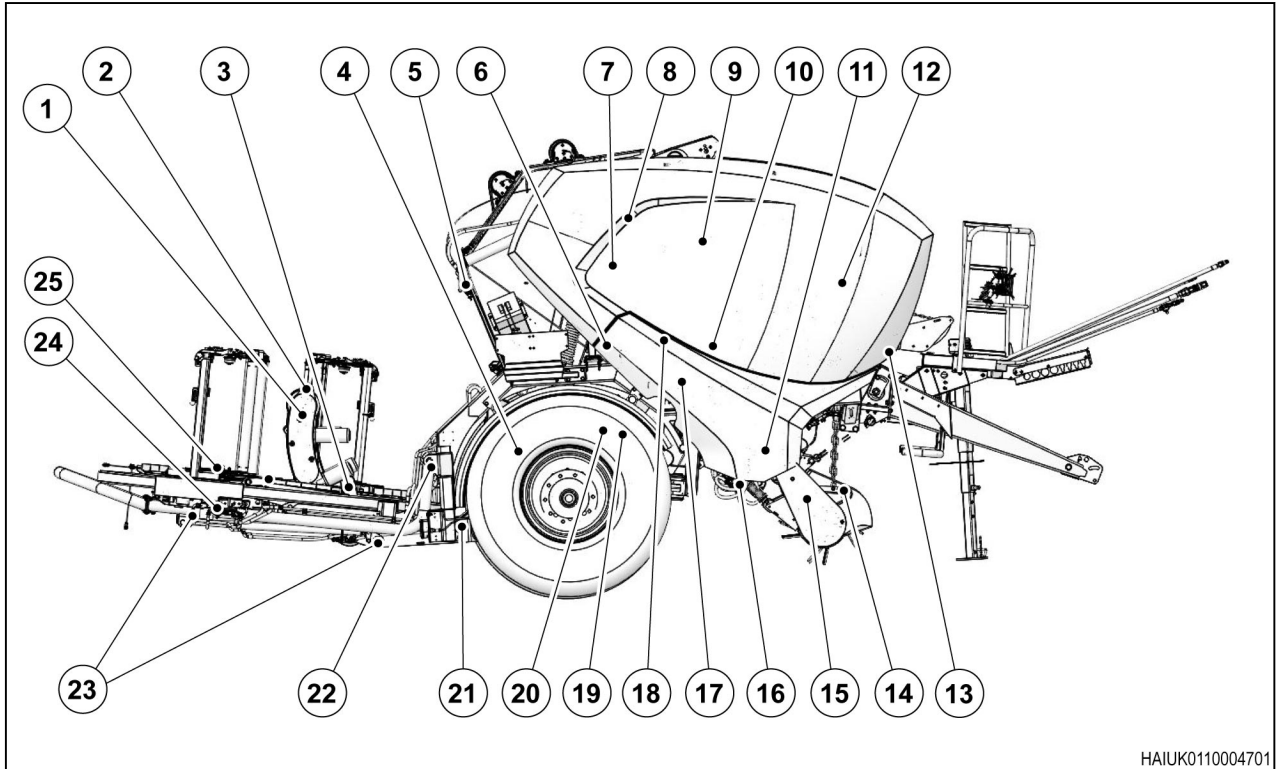
Var 500:e bal (eller dagligen)			
Position i illustration	Maskindel	Smörjning	Observera
7	Kedjesmörjningssystem	(B)	På maskinens högra sida
1	Låskrok	(A)	På båda sidor av maskinen
15	Vals på låsanordning	(A)	På båda sidor av maskinen
12	Pickupens stöd hjul	(A)	På båda sidor av maskinen
6	Mätningseenhet för smörjmedel (valssmörjning och rotorsmörjning)	(A)	På båda sidor av maskinen
19	Mätningseenhet för smörjmedel (valssmörjning)	(A)	På båda sidor av maskinen

Vid säsongens slut varje år (vid speciella driftsförhållanden också varje vecka)			
Position i illustration	Maskindel	Smörjning	Observera
10	Huvuddrev	(C) (2,2 l)	Oljebyte Kontrollera oljenivån med en provsticka eller spillhål
8	Nätlindningsenhetens och snörbindningsenhetens rörliga delar	(D)	För en mjuk rörelse
5	Hydraulcylinder i bakluckans låsmekanism	(A)	På båda sidor av maskinen
13	Pickupdrevets stjärnspärrhjul	(A)	På maskinens vänstra sida
9	Riktögla för snöre	(A)	Smörj skavmärkena med en liten mängd fett

Vid säsongens slut varje år (vid speciella driftsförhållanden också varje vecka)			
Position i illustration	Maskindelen	Smörjning	Observera
14	<p>Bara maskiner med skärenhet XtraCut 17 och XtraCut 25: smörj knivspaken</p> 	(A)	500 balar efter första användning, därefter en gång per odlingssäsong
18	Bromsspak	(A)	På båda sidor av maskinen
11	<p>Lager på pickup Gäller ostyrd pickup: Du måste ta bort sidokåporna för att kunna se vänster och höger smörjnippel</p>	(A)	På båda sidor av maskinen.

4.2 Lubrication Chart: Rotana 130F Combi – 160V Combi

1. Make sure that the Power Take-Off (PTO) shaft is "OFF", the tractor engine stopped and the key removed.
2. Lubricate the parts with the referred lubricant and refer to the interval in the tables in this paragraph.



HAIUK0110004701

Fig. 1

	Agrol Lubricants	Specifications
(A)	Entreprenadfett EP2 Bio	Biodegradable grease (SEP2) NLGI-class 2 DIN 51818. Always apply two strokes with a manual grease gun.
(B)	Gear Oil	68 – 220 (ISO VG) (not thickening).
(C)	Gear Oil 150	150 (ISO VG). CKD (ISO 6743-6).
(D)	Penetrant	Multifunction oil.

After 500 bales after the first use			
Position in figure	Machine part	Lubrication	Note
16	<p>Only machines with cutting device XtraCut 17 and XtraCut 25: grease knife lever.</p> <p style="text-align: right; font-size: small;">HAHUK0110011201</p>	(A)	500 bales after first use, then once per season.

After each 500 bales (or daily)			
Position in figure	Machine part	Lubrication	Note
	Power Take-Off shaft.	(A)	Not shown.
17	Chain lubrication system.	(B)	On the right side of the machine.
6	Locking hook.	(A)	On the two sides of the machine.
18	Roller on locking device.	(A)	On the two sides of the machine.
14	Pick-up guide wheels.	(A)	On the two sides of the machine.
10	Lubricant metering device (roller lubrication and rotor lubrication).	(A)	On the two sides of the machine (ROTANA 160 V Combi).
10	Automatic Lubrication (roller lubrication and rotor lubrication).	(A)	On right side of machine (ROTANA 130 F Combi).
19	Tailgate roller (at the lower edge of the tailgate).	(A)	On the two sides of the machine, open the tailgate and make sure that it does not move.
22	Grease nipple on the linkage point of the ring frame.	(A)	On the two sides of the machine.
23	Two grease nipples on the cylinder linkage point of the ring frame.	(A)	Two on both sides.
24	Two grease nipples on the brake lever of the ring brake.	(A)	On the right side of the machine.
24	Grease nipple of the ring tensioner.	(A)	On the left side of the machine.
25	Four grease nipples on the linkage point of the film knife.	(A)	Four on both sides.

After each 500 bales (or daily)			
Position in figure	Machine part	Lubrication	Note
3	Two grease nipples on the linkage point of the wrapping table rollers.	(A)	On the two sides of the machine.
4	Grease nipple of the bale transfer.	(A)	On the left hand side of the machine.
2	Two grease nipples on the linkage point of the wrapping table cylinder.	(A)	On the two sides of the machine.

After 3000 bales and before or after the machine is not used for more than 6 weeks			
Position in figure	Machine part	Lubrication	Note
8	Top belt roller.	(A)	On the two sides of the machine, open the tailgate 1/4 and make sure that it does not move (ROTANA 160 V Combi).
8	Central belt rocker roller.	(A)	On the two sides of the machine bring the belt tensioner in to the service position, open the tailgate 1/4 and make sure that it does not move (ROTANA 160 V Combi).
7	Bottom belt rocker roller.	(A)	On the two sides of the machine bring the belt tensioner in to the service position, open the tailgate 1/4 and make sure that it does not move (ROTANA 160 V Combi).
5	Joint between the belt rocker and the hydraulic cylinder.	(A)	On the two sides of the machine (ROTANA 160 V Combi).
1	Drive train of the wrapping table.	(A)	On the right side of machine.

At the end of the season annually (in case of special operating conditions also weekly)			
Position in figure	Machine part	Lubrication	Note
13	Main gear unit.	(C) (2.2L)	Oil change. Check the filling level with a dip stick or overflow hole.
12	Movable parts of net tying unit.	(D)	To make sure that there is a smooth movement.
9	Hydraulic cylinder on the tailgate locking mechanism.	(A)	On the two sides of the machine.
11	Star ratchet in the pick-up drive.	(A)	On the left side of the machine. ▶

At the end of the season annually (in case of special operating conditions also weekly)			
Position in figure	Machine part	Lubrication	Note
16	<p>Only machines with cutting device XtraCut 17 and XtraCut 25: grease knife lever.</p> <p style="text-align: right; font-size: small;">HAHUK0110011201</p>	(A)	500 bales after first use, then once per season.
20	Brake leverage.	(A)	On the two sides of the machine.
15	<p>Bearing on pick-up. Applies to uncontrolled pickup: You can only see the left and right grease nipple after removal of the side covers.</p>	(A)	On the two sides of the machine.